



Manufacturers & Distributors of Electronic Heating & Smoke Controls

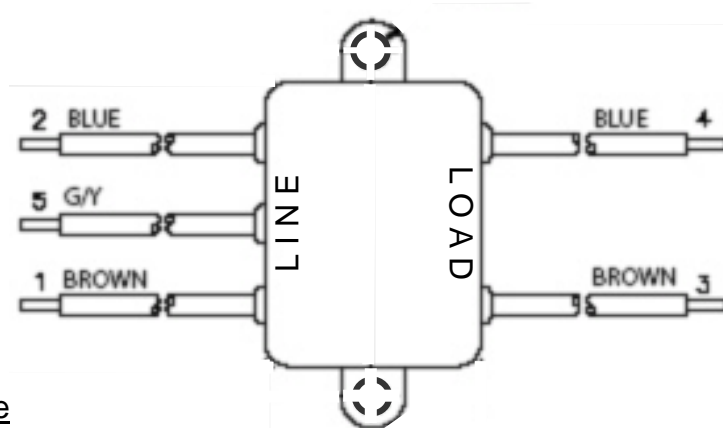
364 Jackson Avenue ~ Bronx, New York 10454-1698 ~ Voice 718-665-6100 ~ Fax 718-665-6103

A.C. Power Line Filter Diagram

P/N AFD-FLTR

1. **Before proceeding confirm A.C. power source is OFF.**
2. Connect 120 VAC power source HOT (usually black wire) to terminal #1 BROWN wire on LINE side.
3. Connect 120 VAC power source NEUTRAL (white wire) to terminal #2 BLUE wire on LINE side.
4. Connect ground wire #5 with terminal lug (GREEN WIRE) on LINE side to bottom nut of terminal plug in board. See insert #1 below.
5. Connect Terminal #3 BROWN wire with terminal lug on LOAD side to AFD plug in board terminal "A" 120 VAC HOT.
6. Connect terminal #4 BLUE wire with terminal lug on LOAD to AFD plug in board terminal "B" 120 VAC NEUTRAL.
7. Place filter module against back of cabinet behind wires. Filter module should not touch back of control panel when installed.

Line Filter Connections



Line Side

Load Side

#2 Blue – 120 VAC (Neutral)
 #5 green/yellow – chassis/box ground
 #1 Brown – 120 VAC (HOT)

#4 Blue – FW Terminal "B" (Neutral)
 #3 Brown – FW Terminal "A" (Hot)

Insert # 1

