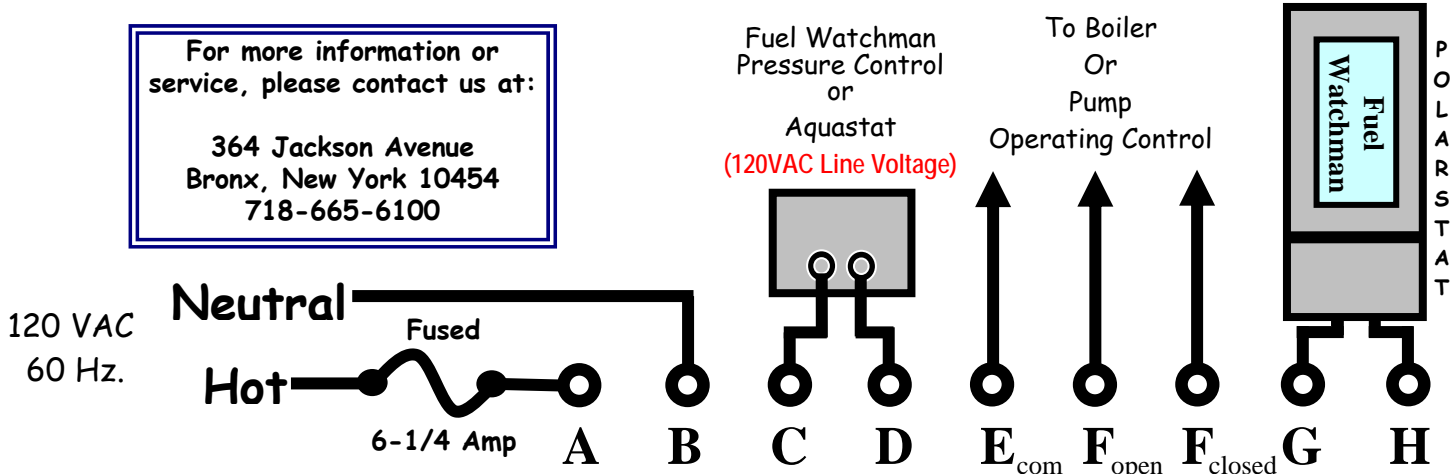


Manufacturers & Distributors of Electronic Heating & Smoke Controls

1. For STEAM Mode (MODE #1, W1 Jumper out), wire PRESSURE control (TYPE "A" OPEN on RISE) to terminals "C & D" of FUEL WATCHMAN & set at building operating pressure. Set boiler pressure control 1-1/2 pounds higher than Fuel Watchman pressure control.
2. For HOT WATER Mode (MODE #2, W1 Jumper in) wire PRESSURE or AQUASTAT control (CLOSE on RISE TYPE "B") to terminals "C & D". Set RETURN AQUASTAT at a minimum of 20° F. lower than boiler supply water temperature.
3. "A" terminal to HOT side of line (FUSED 6-1/4 AMPS MAXIMUM).
4. "B" terminal to NEUTRAL side of line.
5. "C & D" terminals to FUEL WATCHMAN PRESSURE control or AQUASTAT.
6. "E_{com}, F_{open} & F_{closed}" are a switch. E_{com} & F_{open} MAKES on calling for heat. E_{com} & F_{closed} OPENS on calling for heat. Can be wired across Burner Aquastat, "T & T" terminals on combustion control or in place of an existing thermostat.
7. "G & H" terminals to outside POLARSTAT. Keep POLARSTAT away from windows, vents, spotlights or any other heat source. POLARSTAT MUST be at least 1 inch away from building wall & EXPOSED to rain & snow to sense true outside weather conditions. There are NO moving parts in Polarstat. ALL adjustments are made from main panel. DO NOT OPEN Polarstat casing.

For more information or service, please contact us at:

364 Jackson Avenue
Bronx, New York 10454
718-665-6100



CAUTION - HIGH VOLTAGE-DISCONNECT POWER SUPPLY BEFORE SERVICING.
USE COPPER CONDUCTORS ONLY.

Hot (Black) A

Neutral (White) B

Pressure Control/Aquastat C

Pressure Control/Aquastat D

Terminals C & D
are LINE VOLTAGE
120 VAC

Fuel Watchman

Model # **AFD-PIB**
AFD Series Plug-In-Board

Terminals E_{com}, F_{no} & F_{nc}
Maximum 6 amps
PILOT DUTY ONLY

H Polarstat

G Polarstat

F_{NC} Normally CLOSED

F_{NO} Normally OPEN

E_{COM} COMMON

Note:
Terminals E_{COM} & F_{NO} CLOSE on a call for heat
Terminals E_{COM} & F_{NC} OPEN on a call for heat