



Manufacturers & Distributors of Electronic Heating & Smoke Controls

364 Jackson Avenue ~ Bronx, New York 10454-1698 ~ Voice 718-665-6100 ~ Fax 718-665-6103

Smoke Watchman®

Microprocessor Controller

Model SPD-C



**Approved for use in New York City under
Calendar No. 31130**

The Smoke Watchman Model SPD is a Microprocessor Controller used to protect the heating Plant from unnecessary amounts of carbon deposits in your flue chamber. It also limits the amount of smoke over and above the legal limit.

When properly set, the Smoke Watchman helps reduce excess amounts of air pollution.

When the Smoke Watchman Cell Unit senses smoke above the legal limit, the alarm will ring for two (2) minutes and the digital display on the main panel, will count up in seconds. After two (2) minutes (120 seconds) have past, it will cut off the burner automatically and the display will read "OFF". The burner will remain off until it is reset manually. The alarm will continue to ring until the panel is reset.

The Spot Light Unit uses a standard sealed beam spotlight to eliminate focusing. A light adjustment control is incorporated to extend lamp life.

The Cell Unit at the breaching consists of a photocell and transformer only. No other parts are in the box. All controls and adjustments are made from the main panel on the control board.

Note 1: Smoke Watchman Model SPD is manufactured with a plug in panel and standard size Main Panel enclosure for all previous Smoke Watchman Model SP Units. If service or replacement is required, it can be readily accomplished.

Note 2: When mounting the Spot Light (transmitter) and Cell Unit (receiver) on the breaching, the Cell Unit MUST BE installed at least six (6) inches from breaching.

Smoke Watchman

Model SPD-C & P



Reg. U.S. Pat. Off.
Manufacturers & Distributors
of Electronic Heat and Smoke Controls

364 Jackson Avenue
Bronx, New York 10454-1698
718-665-6100

**Approved for use in New York City
under calendar No. 31130**

Spot Light and Cell Unit adjustments

- A - Set cell adjustment to #5.
- B - Set light adjustment to #10. Then slowly move knob to a lower number until buzzer starts. Now move knob very slowly to a higher number until buzzer stops.
- C - For finer adjustment, place correct Ringlemann Filter in front of Cell Unit Photocell. Then slowly turn cell adjustment clockwise until alarm stops. Then slowly turn cell adjustment counter-clockwise until alarm starts. Remove filter and alarm should stop. The unit is now set for #1 smoke.

Reset Switch

Reset Smoke Watchman Control when burner is cut off due to excessive smoke. Press reset button until flashing stops, then the burner should start up again.

Terminal Designations

- 1 - HOT side of line. (FUSED Max. 5 Amps. 120 VAC 60 Hz.)
- 2 - Neutral (Ground)
- 3 & 4 - In series with HIGH LIMIT boiler control.
- 5,6,7 & 8 - To Cell Unit on breeching.
- 2 & 9 - To View Alarm.

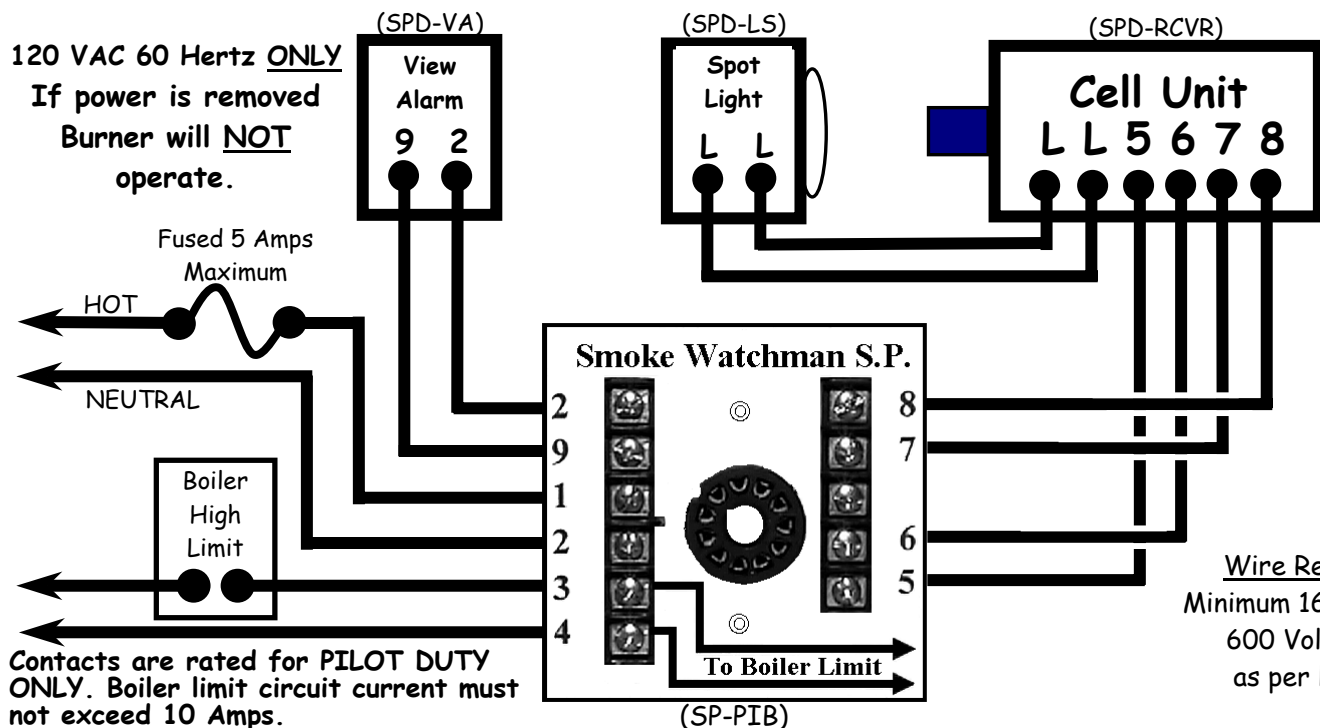
NOTE:

Receiver cell support & transmitter cover can be rotated 180° to achieve a 3-1/2" pipe to center dimension. When supplied, dimension will conform to ALL previous SMOKE WATCHMAN center-to-center dimensions of 4-1/2". This should only be rotated for other than SMOKE WATCHMAN.

Photocell MUST be a minimum of 6" from breeching.

For further information or service please contact Fuel Watchman Sales & Service, Inc. at the address or phone number listed above.

**CAUTION - HIGH VOLTAGE
DISCONNECT POWER SUPPLY
BEFORE SERVICING.**



Wire Requirements
Minimum 16 Gauge Copper
600 Volt insulation
as per local codes



Reg. U.S. Pat. Off.

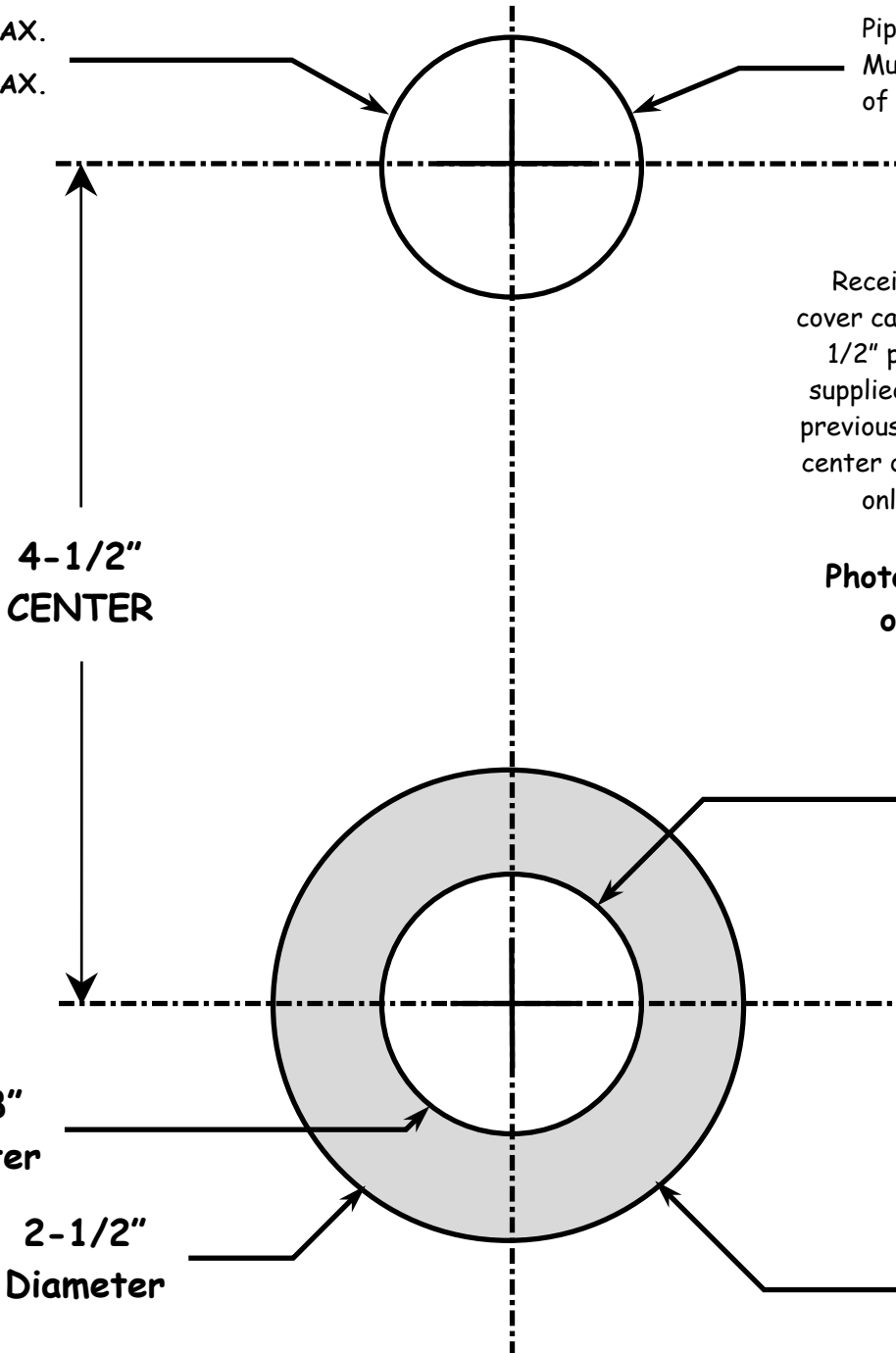
Manufacturers & Distributors of Electronic Heating & Smoke Controls

364 Jackson Avenue ~ Bronx, New York 10454-1698 ~ Voice 718-665-6100 ~ Fax 718-665-6103

Smoke Watchman Model SPD Mounting Template

1-3/8" MAX.
or
1" Pipe MAX.

Pipe Hanger Support.
Must provide a minimum extension
of 10" from each side of breeching.



NOTE:

Receiver cell support & transmitter cover can be rotated 180° to achieve a 3-1/2" pipe to center dimension. When supplied, dimension will conform to ALL previous SMOKE WATCHMAN center to center dimensions of 4-1/2". This should only be rotated for other than SMOKE WATCHMAN.

Photocell **MUST** be a minimum of 6" from breeching.

For
breeching
SMALLER
than 24"

For
Breeching
LARGER
than 24"

Drawn FULL SCALE